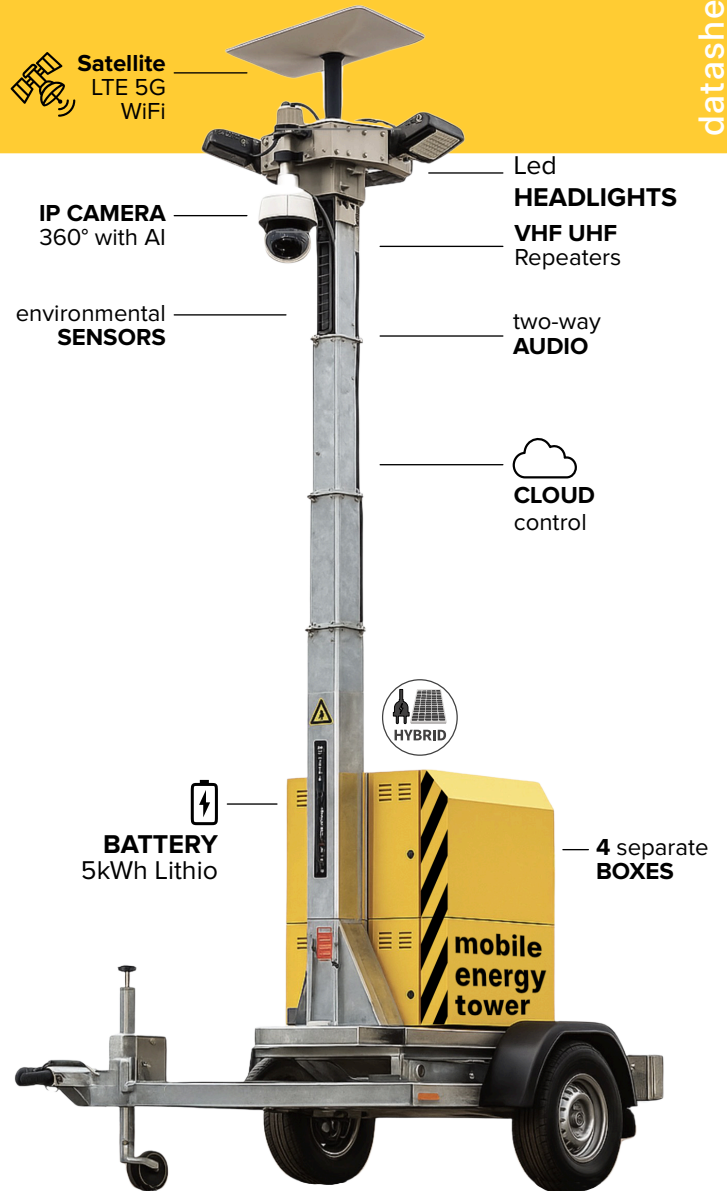


**Compact, powerful and flexible, the new power station allows you to set up and take security services wherever you want.**

- > 5kWh lithium battery
- > 4 independent compartments
- > Remotely controlled in Cloud
- > 7 metre telescopic pole
- > AC and solar hybrid charging



**General Electronics**

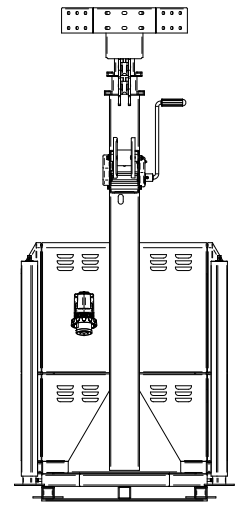
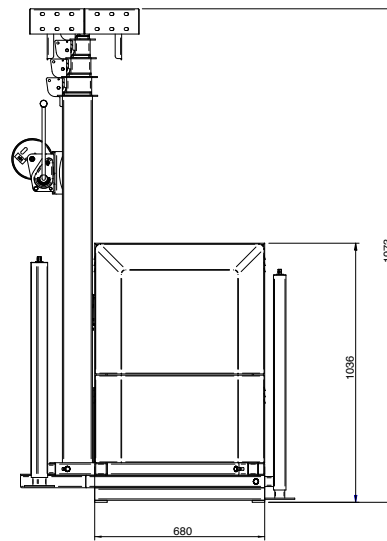
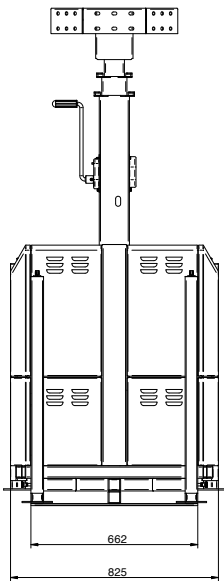
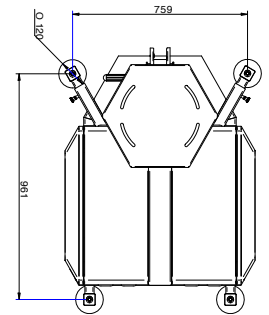
Battery (volt)	Litio LiFePo4 5 Kwh (48V)
Power supplies	AC230, Solar panels, Generator
Full recharge	Fast Charge 50A -2.5h
Hybrid Solar Inverter	6,2 kW
AC industrial socket	PLUG 90° 32A 230V
Solar power	6500Wp (54-72 cells)
Nominal voltage of the panels	MIN:60VDC MAX(VOC):500VDC
MC4 panel connectors	2
Switch	SPDT TYPE B 32A
Surge arrester	SPD type 2 (20kA)
Battery protection fuse	63A superfast
Door opening alarm	4
Network presence Test	SI
Internal temperature control	SI
Modem LTE Cloud M2M	Integrated with a prepaid and rechargeable 500MB SIM card
IoT Remote Control and alarms	Datamanager cloud software Included
DC Out	12, 24, 48 VDC
Industrial Managed Switch	Switch 8 Ports 802.3BT 48VPOE+ or 24V POE +
Router	4G LTE (Cat 4), 3G, 2G 802.11b/g/n (Wi-Fi 4), Access Point
Integrated Antenna	2 x 5G MIMO ROOF Puck antenna Sub-6GHz 600~7125MHz 2.5dBi, VSWR<2:1, 2x SMA/M, 3mt cables, IP67 +GPS GLONASS

**Application areas**

- CONSTRUCTION SITES
- PUBLIC EVENTS
- CIVIL PROTECTION
- LOGISTICS
- POLICE
- CAR PARKS
- PORTS
- DEFENCE

## Physical Characteristics

BOX dimensions WxDxH	72 x 110 x 66 cm
BOX Dimensions + Extended tower WxDxH	112 x 717 x 82 cm
Available rooms	2 double rooms + 2 single rooms in aluminium
Locks	4 independent keys
Winch	manual
Weight (without head-mounted devices)	--
Maximum tower height	7.5 mt
Water resistance	IP54
Operating temperatures	-40°C to +80°C
Lifting eyebolts	YES
Maximum Load Capacity of pole head	60Kg
Stabilizers	4



## Trailer (optional)

Platform dimensions	80 x 178 cm
Cart dimensions	132.5 x 281 cm
Weight	175 Kg
Overall mass	750 Kg
Maximum Load	575 Kg
Parking feet	4 adjustable
Brakes	drum brakes + parking brakes
Hookup	ball joint

